



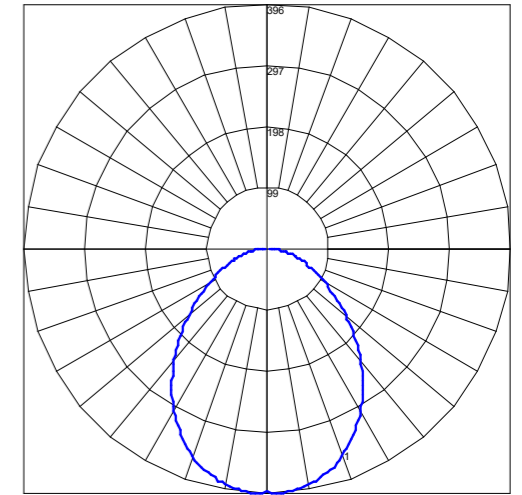
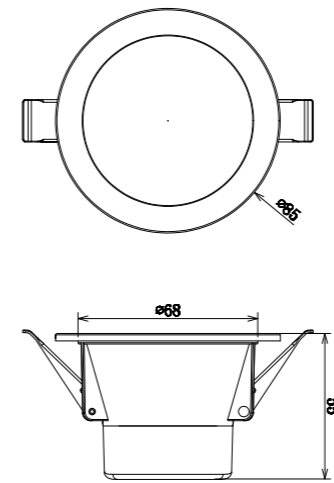
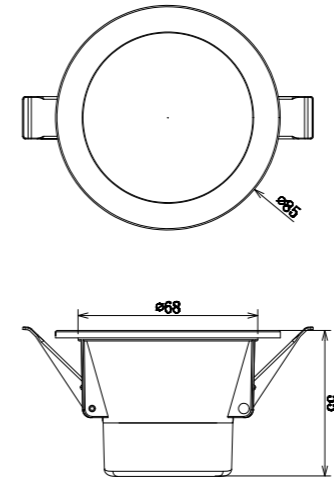
ECO8W-WW

//FEATURES

- » High energy efficiency at only 10W
- » In-built driver
- » Suits existing 90-100mm cut-outs
- » Dimmable
- » IC-F abutted & cover rated
- » 3 Year 30,000hr Warranty

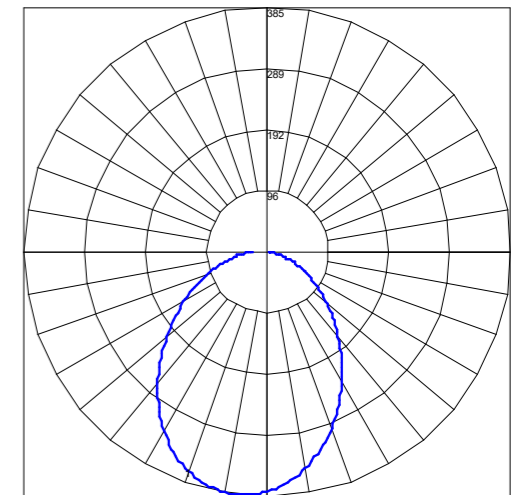


ECO8W-CW



Maximum Candela = 396.46 Located At Horizontal Angle = 90, Vertical Angle = 2
1 - Vertical Plane Through Horizontal Angles (90 - 270) (Through Max. Cd.)

POLAR CURVE // ECO8W-WW



Maximum Candela = 384.71 Located At Horizontal Angle = 180, Vertical Angle = 8
1 - Vertical Plane Through Horizontal Angles (180 - 0) (Through Max. Cd.)

POLAR CURVE // ECO8W-CW

COMPATIBLE WITH

» **Dynalite Lighting Control Systems**
Use Clipsal Trailing Edge Dimmer

» **Clipsal C-Bus Lighting Control Systems**
Use Clipsal Universal Dimmer

PRODUCT CODE	WATTAGE	FACE COLOUR	IP RATING	LUMEN OUTPUT	CRI	COLOUR TEMP	BEAM ANGLE
ECO8W-WW	8W	White	IP44	720lm	80+	3000K- WW	90°
ECO8W-CW	8W	White	IP44	800lm	80+	4000K- CW	90°