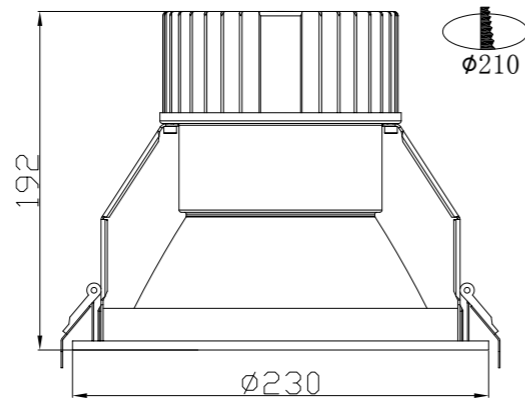
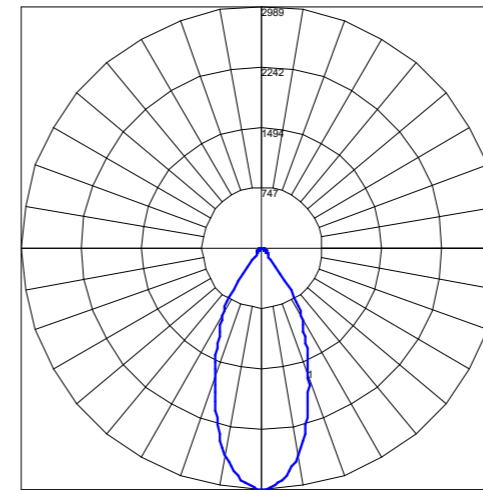
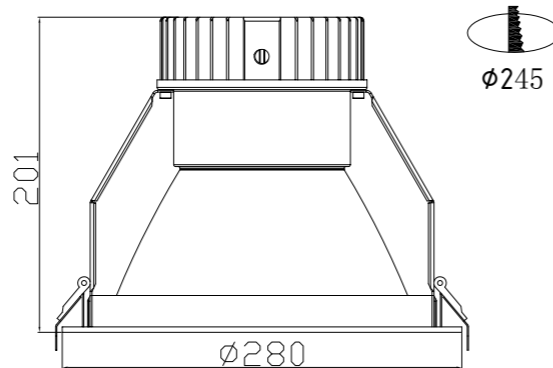




GRCLM-28W

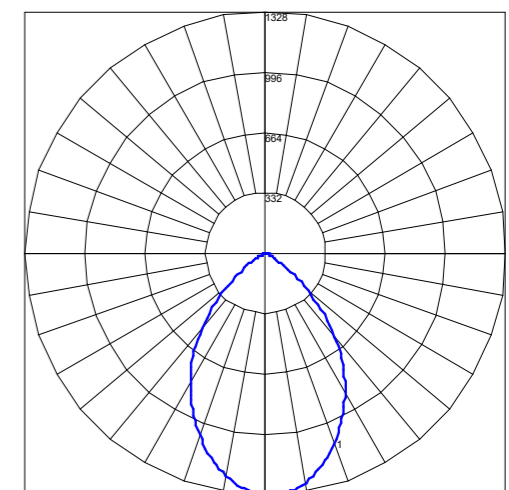


GRCLL-28W



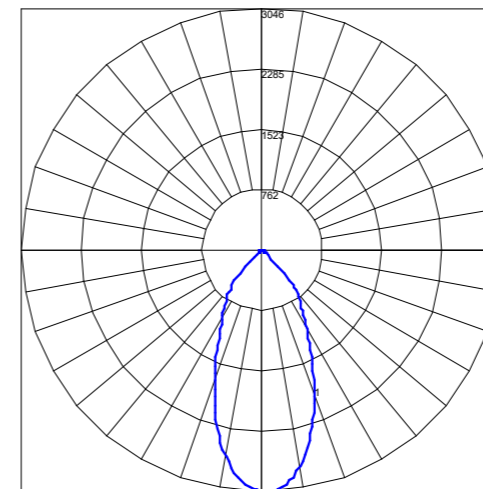
Maximum Candela = 2988.97 Located At Horizontal Angle = 0, Vertical Angle = 0  
# 1 - Vertical Plane Through Horizontal Angles (0 - 180) (Through Max. Cd.)

POLAR CURVE // GRCLM50-28W



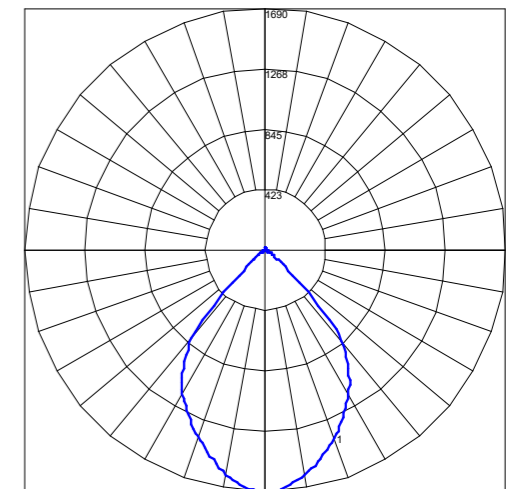
Maximum Candela = 1328.09 Located At Horizontal Angle = 0, Vertical Angle = 1  
# 1 - Vertical Plane Through Horizontal Angles (0 - 180) (Through Max. Cd.)

POLAR CURVE // GRCLM80-28W



Maximum Candela = 3046.25 Located At Horizontal Angle = 90, Vertical Angle = 2  
# 1 - Vertical Plane Through Horizontal Angles (90 - 270) (Through Max. Cd.)

POLAR CURVE // GRCLL50-28W



Maximum Candela = 1690.06 Located At Horizontal Angle = 0, Vertical Angle = 1  
# 1 - Vertical Plane Through Horizontal Angles (0 - 180) (Through Max. Cd.)

POLAR CURVE // GRCLL80-28W

// FEATURES

- » High Quality Aluminium Housing
- » Available in 230mm & 280mm Face Size
- » Anti-glare Reflector
- » Available in 50° and 80° beam angle
- » High CRI 85+
- » 1,946-2,084 lumens
- » Available in 3000K & 4000K
- » 5 Year 50,000hr Warranty

PRODUCT CODE	WATTAGE	FACE COLOUR	IP RATING	LUMEN OUTPUT	CRI	COLOUR TEMP	BEAM ANGLE
GRCLM-50-28W-WW	28W	White	IP20	1946lm	85+	3000K- WW	50°
GRCLM-50-28W-CW	28W	White	IP20	2084lm	85+	4000K- CW	50°
GRCLM-80-28W-WW	28W	White	IP20	1946lm	85+	3000K- WW	80°
GRCLM-80-28W-CW	28W	White	IP20	2084lm	85+	4000K- CW	80°
GRCLL-50-28W-WW	28W	White	IP20	1946lm	85+	3000K- WW	50°
GRCLL-50-28W-CW	28W	White	IP20	2084lm	85+	4000K- CW	50°
GRCLL-80-28W-WW	28W	White	IP20	1946lm	85+	3000K- WW	80°
GRCLL-80-28W-CW	28W	White	IP20	2084lm	85+	4000K- CW	80°