



INVISIO

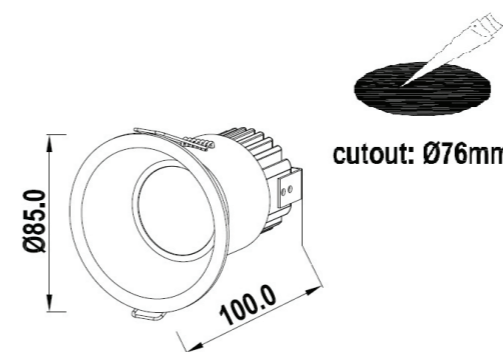


//FEATURES

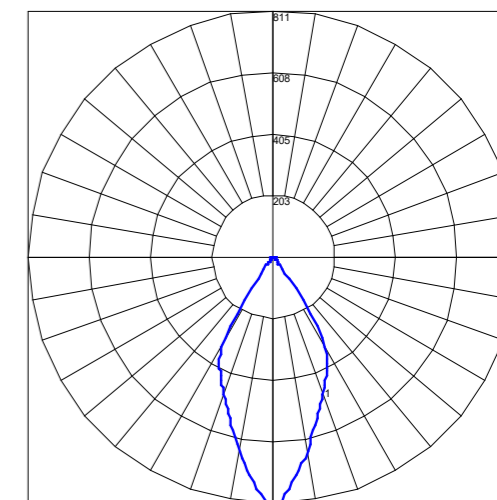
- » Impressive 5-100% Dimming Capabilities
- » Innovative Anti-Glare Design
- » High CRI- See objects in their true-to-life colours
- » Designed to blend seamlessly into ceilings
- » Comes with holesaw for ease of installation
- » 5 Year 50,000hr Warranty



INVISIO SQUARE

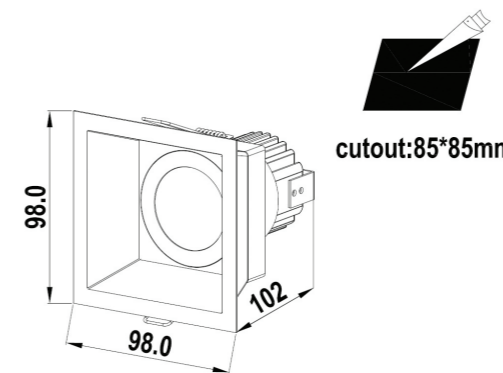


cutout: Ø76mm

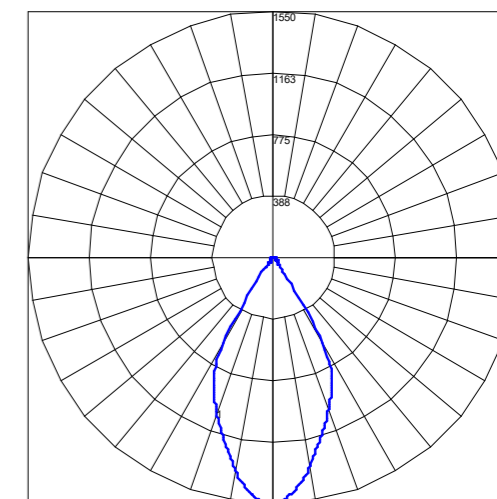


Maximum Candela = 810.6 Located At Horizontal Angle = 0, Vertical Angle = 0
1 - Vertical Plane Through Horizontal Angles (0 - 180) (Through Max. Cd.)

POLAR CURVE // INVISIO



cutout:85*85mm



Maximum Candela = 1550.1 Located At Horizontal Angle = 180, Vertical Angle = .5
1 - Vertical Plane Through Horizontal Angles (180 - 0) (Through Max. Cd.)

POLAR CURVE // INVISIO SQUARE

COMPATIBLE WITH

- » **Dynalite Lighting Control Systems**
Use Clipsal Trailing Edge Dimmer
- » **Clipsal C-Bus Lighting Control Systems**
Use Clipsal Universal Dimmer

PRODUCT CODE	WATTAGE	FACE COLOUR	IP RATING	LUMEN OUTPUT	CRI	COLOUR TEMP	BEAM ANGLE
INVISIO-WW	10W	White	IP23	634lm	92	3000K- WW	56.5°
INVISIO-CW	10W	White	IP23	582lm	93	4000K- CW	56.5°
INVISIO-SQ-WW	10W	White	IP23	634lm	92	3000K- WW	56.5°
INVISIO-SQ-CW	10W	White	IP23	582lm	93	4000K- CW	56.5°