



INVIS 16

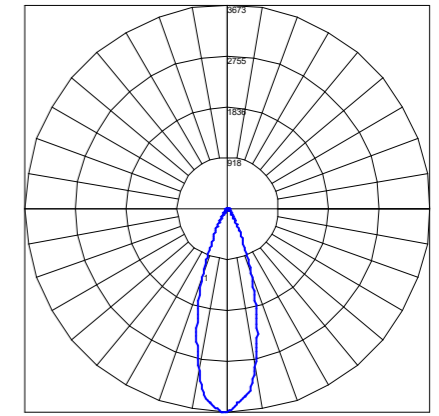
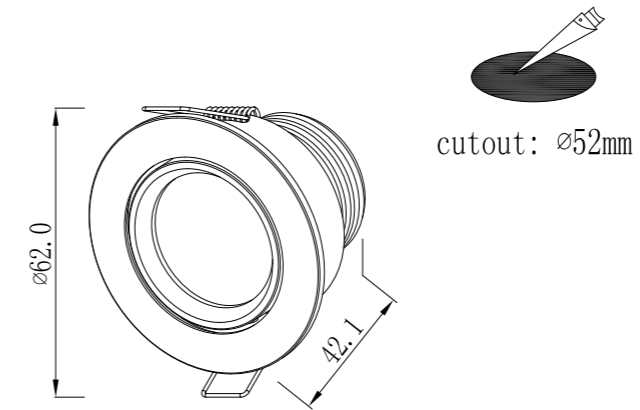
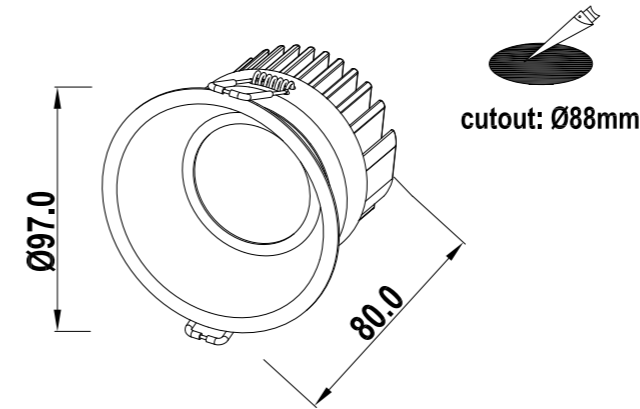


//FEATURES

- » Impressive 5-100% Dimming Capabilities
- » Innovative Anti-Glare Design
- » High CRI- See objects in their true-to-life colours
- » Designed to blend seamlessly into ceilings
- » Comes with holesaw for ease of installation
- » 5 Year 50,000hr Warranty

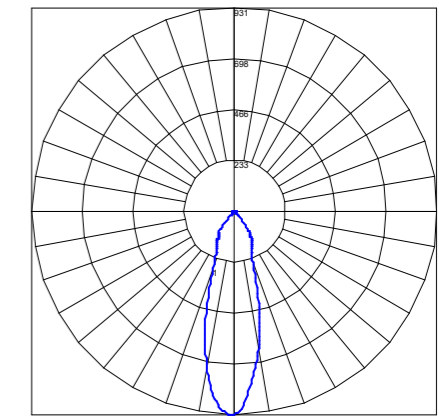


INVISMINI  
White & brushed chrome



Maximum Candela = 3672.8 Located At Horizontal Angle = 180, Vertical Angle = 1  
# 1 - Vertical Plane Through Horizontal Angles (180 - 0) (Through Max. Cd.)

POLAR CURVE // INVIS16



Maximum Candela = 931.2 Located At Horizontal Angle = 180, Vertical Angle = 1  
# 1 - Vertical Plane Through Horizontal Angles (180 - 0) (Through Max. Cd.)

POLAR CURVE // INVISMINI

**COMPATIBLE WITH**

- » **Dynalite Lighting Control Systems**  
Use Clipsal Trailing Edge Dimmer
- » **Clipsal C-Bus Lighting Control Systems**  
Use Clipsal Universal Dimmer

PRODUCT CODE	WATTAGE	FACE COLOUR	IP RATING	LUMEN OUTPUT	CRI	COLOUR TEMP	BEAM ANGLE
INVIS16-WW	16W	White	IP23	909lm	92	3000K- WW	60°
INVIS16-CW	16W	White	IP23	970lm	93	4000K- CW	60°
INVISMINI-W-WW	2 x 4W	White	IP23	200lm	80	3000K- WW	36°
INVISMINI-W-CW	2 x 4W	White	IP23	200lm	80	4000K- CW	36°
INVISMINI-BC-WW	2 x 4W	Brushed Chrome	IP23	200lm	80	3000K- WW	36°
INVISMINI-BC-CW	2 x 4W	Brushed Chrome	IP23	200lm	80	4000K- CW	36°