



GR12RF-W



GR12RF-BC

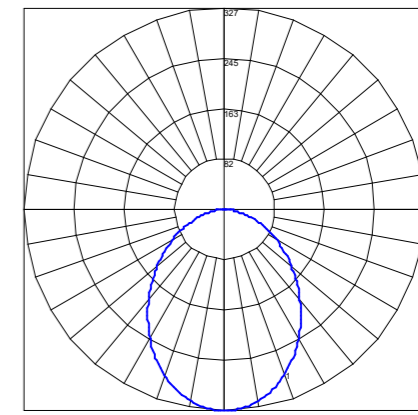
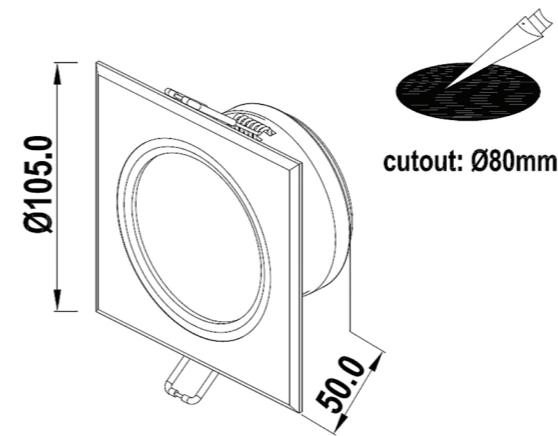
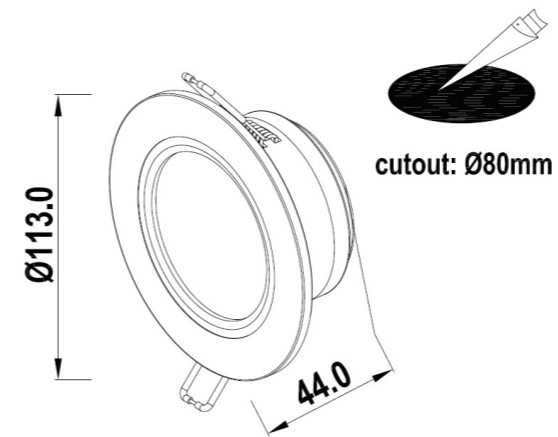
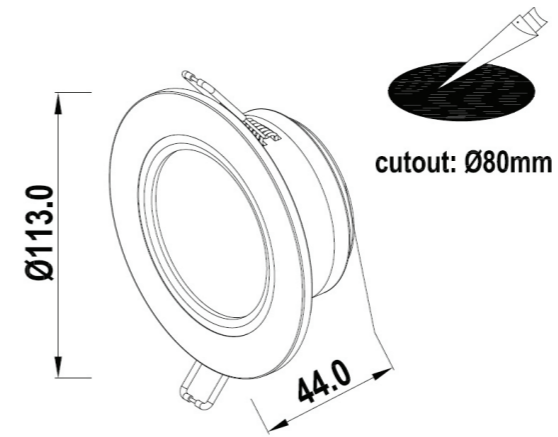


GR12RF-SQ



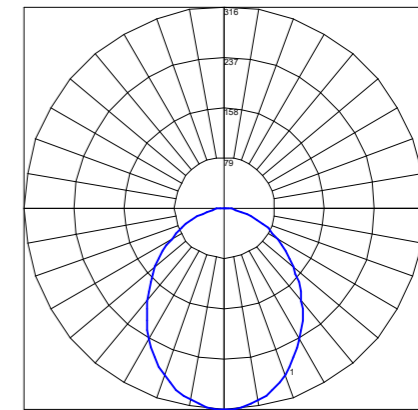
//FEATURES

- » Designed to replace the 50W Halogen
- » Suits existing 80-100mm Cut-outs
- » CRI 82- See objects in their true-to-life colours
- » Dimmable
- » Available in White or Brushed Chrome Trim
- » Tested and approved to abut ceiling installation with no heat barrier required
- » 3 Year 30,000hr Warranty



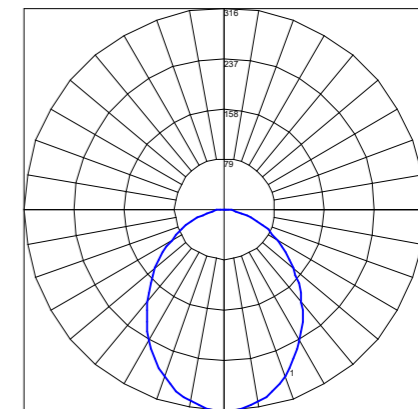
Maximum Candela = 326.63 Located At Horizontal Angle = 0, Vertical Angle = 0
1 - Vertical Plane Through Horizontal Angles (0 - 180) (Through Max. Cd.)

POLAR CURVE // GR12RF



Maximum Candela = 315.56 Located At Horizontal Angle = 0, Vertical Angle = 0
1 - Vertical Plane Through Horizontal Angles (0 - 180) (Through Max. Cd.)

POLAR CURVE // GR12RF



Maximum Candela = 315.56 Located At Horizontal Angle = 0, Vertical Angle = 0
1 - Vertical Plane Through Horizontal Angles (0 - 180) (Through Max. Cd.)

POLAR CURVE // GR12RF

COMPATIBLE WITH

- » Dyalite Lighting Control Systems
Use Clipsal Trailing Edge Dimmer
- » Clipsal C-Bus Lighting Control Systems
Use Clipsal Universal Dimmer

PRODUCT CODE	WATTAGE	FACE COLOUR	IP RATING	LUMEN OUTPUT	CRI	COLOUR TEMP	BEAM ANGLE
GR12RF-W-WW	12.7W	White	IP44	718lm	82	3000K- WW	80°
GR12RF-W-CW	12.7W	White	IP44	730lm	82	4000K- CW	80°
GR12RF-BC-WW	12.7W	Brushed Chrome	IP44	718lm	82	3000K- WW	80°
GR12RF-BC-CW	12.7W	Brushed Chrome	IP44	730lm	82	4000K- CW	80°
GR12RF-SQ-WW	12.7W	Brushed Chrome	IP44	718lm	82	3000K- WW	80°
GR12RF-SQ-CW	12.7W	Brushed Chrome	IP44	730lm	82	4000K- CW	80°