



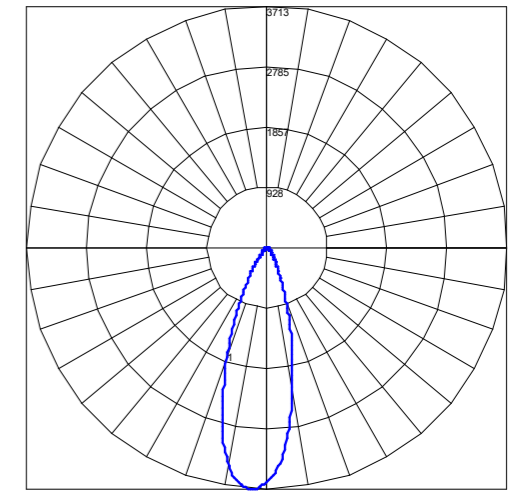
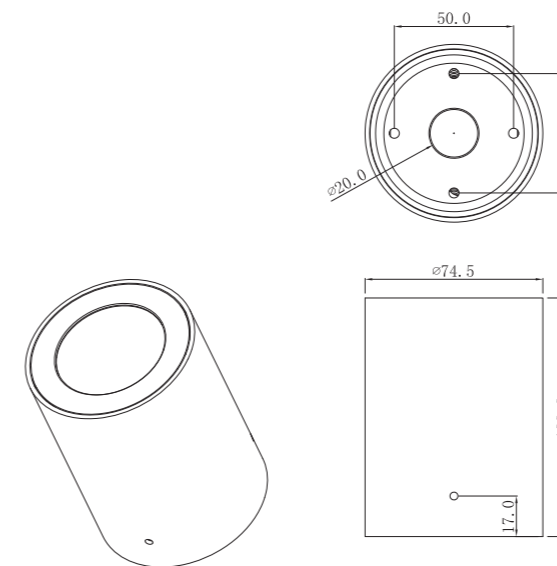
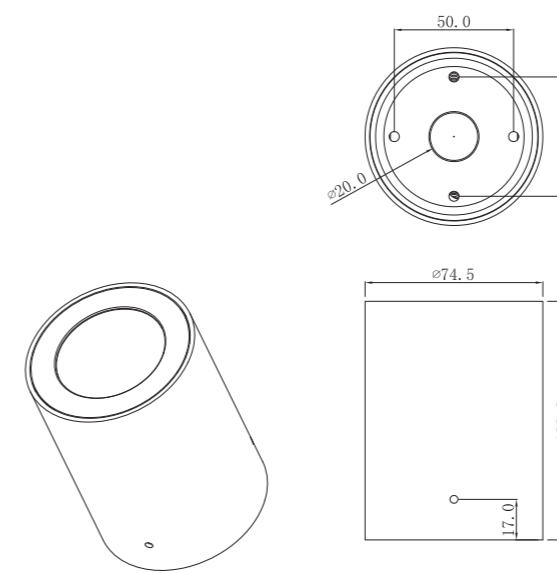
GRSM14W WHITE



GRSM14W BLACK

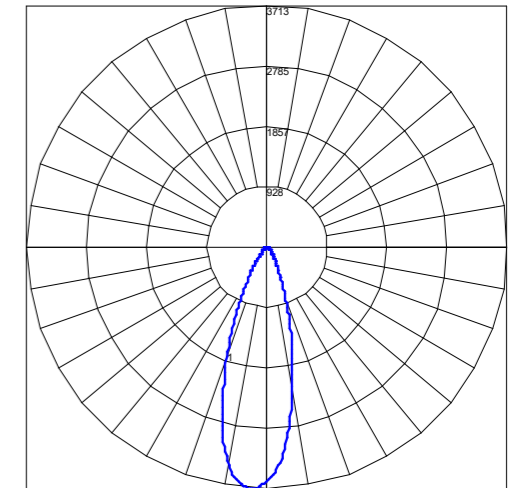
// FEATURES

- » High Energy Efficiency at only 14W
- » Available in Black & White to compliment spaces and styles
- » Eliminates the need for cutouts and gaps in insulation
- » Impressive 1,034 lumen output
- » 3 Year 30,000hr Warranty



Maximum Candela = 3713.2 Located At Horizontal Angle = 180, Vertical Angle = 3.5  
# 1 - Vertical Plane Through Horizontal Angles (180 - 0) (Through Max. Cd.)

POLAR CURVE // GRSM14W



Maximum Candela = 3713.2 Located At Horizontal Angle = 180, Vertical Angle = 3.5  
# 1 - Vertical Plane Through Horizontal Angles (180 - 0) (Through Max. Cd.)

POLAR CURVE // GRSM14W

COMPATIBLE WITH

» **Dynalite Lighting Control Systems**  
Use Clipsal Trailing Edge Dimmer

» **Clipsal C-Bus Lighting Control Systems**  
Use Clipsal Universal Dimmer

PRODUCT CODE	WATTAGE	FACE COLOUR	IP RATING	LUMEN OUTPUT	CRI	COLOUR TEMP	BEAM ANGLE
GRSM14W-W-WW	14W	White	IP44	974lm	80+	3000K- WW	45°
GRSM14W-W-CW	14W	White	IP44	1034lm	80+	4000K- CW	45°
GRSM14W-BLK-WW	14W	Black	IP44	974lm	80+	3000K- WW	45°
GRSM14W-BLK-CW	14W	Black	IP44	1034lm	80+	4000K- CW	45°