



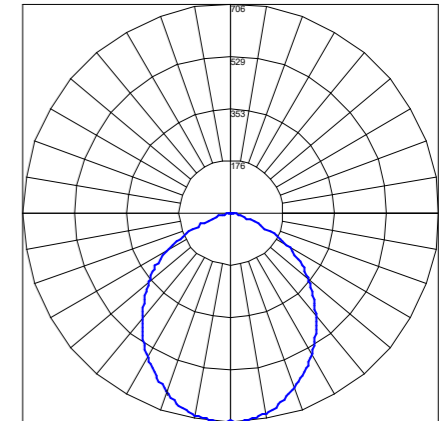
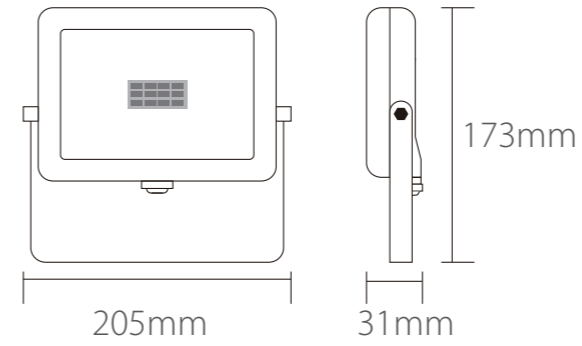
GRFL20W

// FEATURES

- » Compact & Modern Design
- » High Quality Aluminium Housing
- » Toughened Glass, Impact Resistant
- » 100° beam angle
- » IP65
- » 80 Lumens/watt
- » 3 Year 30,000hr Warranty

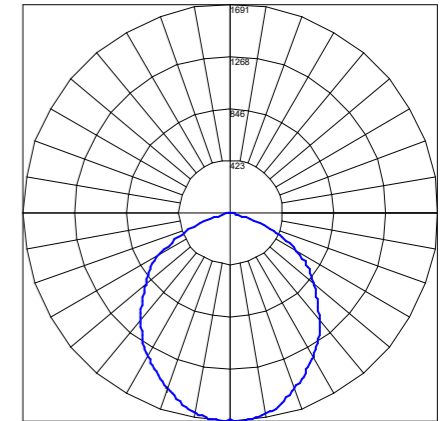
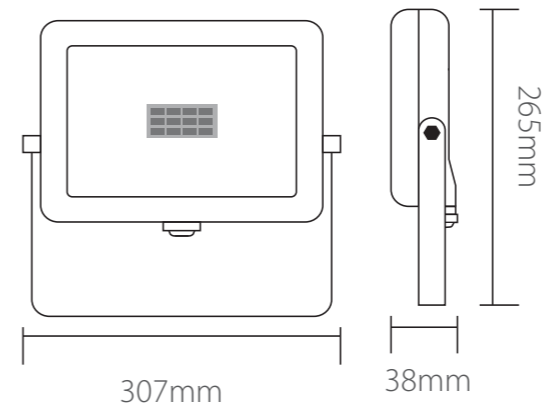


GRFL50W



Maximum Candela = 705.68 Located At Horizontal Angle = 180, Vertical Angle = 1  
# 1 - Vertical Plane Through Horizontal Angles (180 - 0) (Through Max. Cd.)

POLAR CURVE // GRFL20W



Maximum Candela = 1691.21 Located At Horizontal Angle = 180, Vertical Angle = 1  
# 1 - Vertical Plane Through Horizontal Angles (180 - 0) (Through Max. Cd.)

POLAR CURVE // GRFL50W

PRODUCT CODE	WATTAGE	FACE COLOUR	IP RATING	LUMEN OUTPUT	CRI	COLOUR TEMP	BEAM ANGLE
GRFL20W-CW	20W	White/Silver	IP65	1600lm	80+	4000K-CW	100°
GRFL50W-CW	50W	White/Silver	IP65	4000lm	80+	4000K-CW	100°