



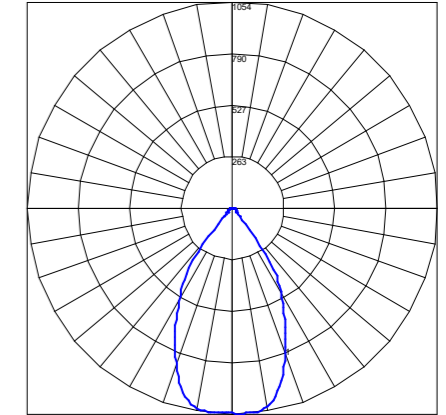
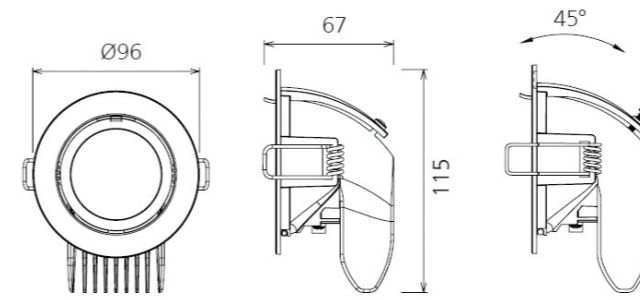
GRSL13W



GRSL25W

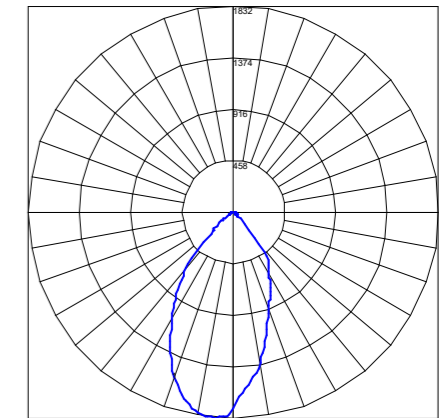
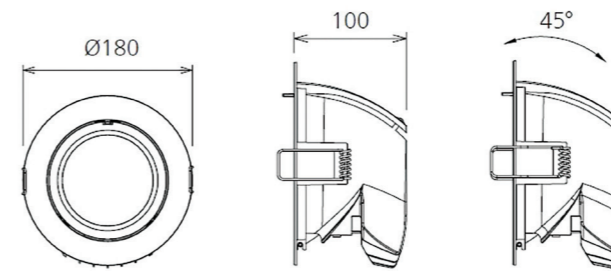
//FEATURES

- » 45° Vertical Rotation
- » Innovative Anti-Glare Design
- » CRI 82- See objects in their true-to-life colours
- » 62-75 Lumens per watt
- » Dimmable
- » Triac 0-10V Dimming
- » 3 Year 30,000hr Warranty



Maximum Candela = 1053.82 Located At Horizontal Angle = 60, Vertical Angle = 1
1 - Vertical Plane Through Horizontal Angles (60 - 240) (Through Max. Cd.)

POLAR CURVE // GRSL13W



Maximum Candela = 1831.77 Located At Horizontal Angle = 150, Vertical Angle = 6
1 - Vertical Plane Through Horizontal Angles (150 - 330) (Through Max. Cd.)

POLAR CURVE // GRSL25W

COMPATIBLE WITH

- » Dyalite Lighting Control Systems
Use Clipsal Trailing Edge Dimmer
- » Clipsal C-Bus Lighting Control Systems
Use Clipsal Universal Dimmer

PRODUCT CODE	WATTAGE	FACE COLOUR	IP RATING	LUMEN OUTPUT	CRI	COLOUR TEMP	BEAM ANGLE
GRSL13W-WW	13W	White	IP20	810lm	80+	3000K- WW	60°
GRSL13W-CW	13W	White	IP20	845lm	80+	4000K- CW	60°
GRSL25W-WW	25W	White	IP20	1765lm	80+	3000K- WW	60°
GRSL25W-CW	25W	White	IP20	1875lm	80+	4000K- CW	60°